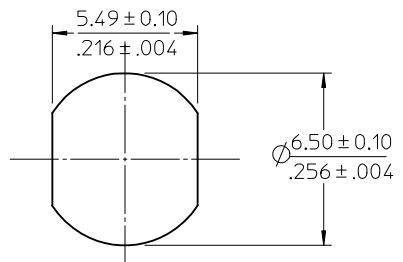
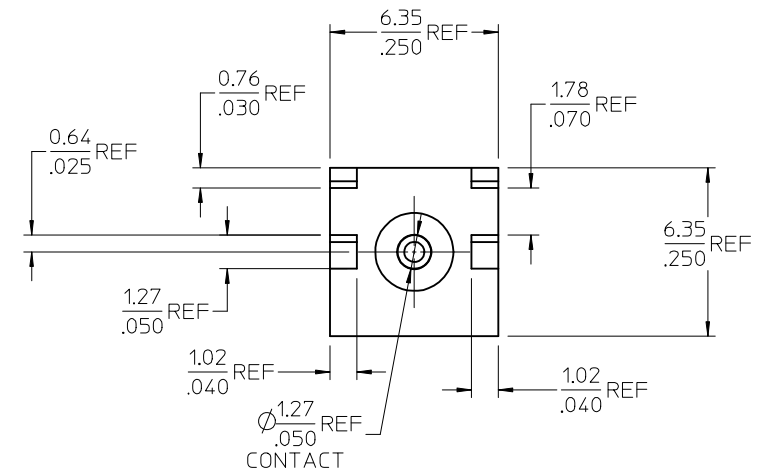
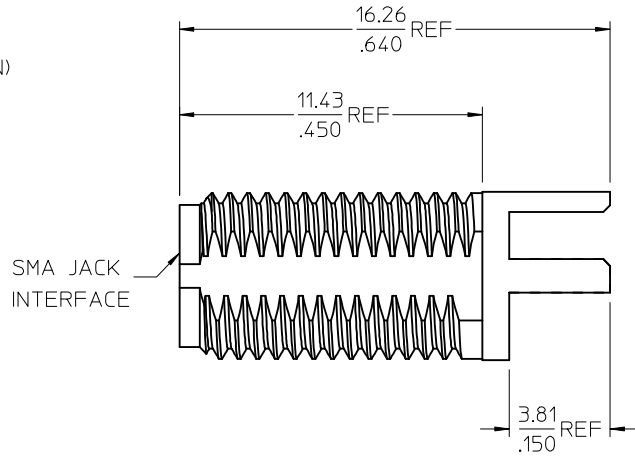
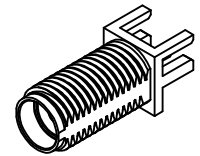


MATERIALS AND FINISHES

BODY: BRASS
PLATED: GOLD (10 MICROINCHES MIN)

CENTER CONTACT: BeCu
PLATED: GOLD (30 MICROINCHES MIN)

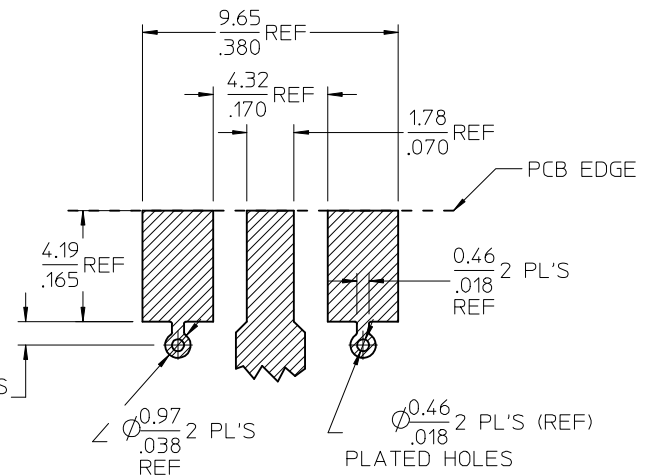
INSULATOR: TEFLON



RECOMMENDED PANEL CUTOUT

RECOMMENDED PAD LAYOUT

BASE WIDTH: 6.35(.250) NOM.
BOARD THICKNESS: 1.57(.062) NOM.
BOARD MATERIAL: FR4 W/1.0 OZ COPPER
BOTH SIDES



PART # 73251-2120

PS-89675-3370	PRODUCT SPECIFICATION
MIL-STD-348A, FIG. 310.2	INTERFACE
SPECIFICATION	DESCRIPTION

UNLESS OTHERWISE SPECIFIED DIMS ARE MILLIMETERS AND ANGLES ARE DEGREES.

- $\frac{1}{64}$ ALL OVER.
- NO CHATTER OR NON-UNIFORM SURFACE FINISH ALLOWED.
- PARTS TO BE FREE OF BURRS & SHARP EDGES 0.13(.005) MAX BREAK.
- EXTERNAL THREADS TO BE ROLLED OR SINGLE POINT.
- DIAMETERS TO BE CONCENTRIC WITHIN 0.08(.003) TIR.

CHG: ADD -2122
EC NO: URF2009-0215
DRWN: JWIENER 2008/11/04
CHKD: SSHAH 2008/11/04
APPR: JWIENER 2008/11/04

QUALITY SYMBOLS

 GENERAL TOLERANCES (UNLESS SPECIFIED)
 4 PLACES ± --- ± ---
 3 PLACES ± --- ± ---
 2 PLACES ± --- ± ---
 1 PLACE ± --- ± ---
 ANGULAR ± 2 °
 DRAFT WHERE APPLICABLE MUST REMAIN WITHIN DIMENSIONS

DIMENSION STYLE
MM/IN
 DRAWN BY DATE
SSS 2003/07/09
 CHECKED BY DATE
TEF 2003/07/09
 APPROVED BY DATE
GMH 2003/07/09
 MATERIAL NO.
732512120

SCALE
DESIGN UNITS
METRIC
 THIRD ANGLE PROJECTION
 TITLE
SMA JACK, EDGE MOUNT
.062 BOARD, 50 OHMS,
EWR-2074 SMA-J/PCB
 MOLEX INCORPORATED
 DOCUMENT NO.
SD-73251-212
 SHEET NO.
1 OF 2
 THIS DRAWING CONTAINS INFORMATION THAT IS PROPRIETARY TO MOLEX INCORPORATED AND SHOULD NOT BE USED WITHOUT WRITTEN PERMISSION

MATERIALS AND FINISHES

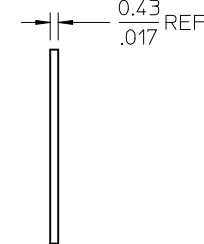
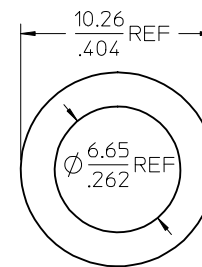
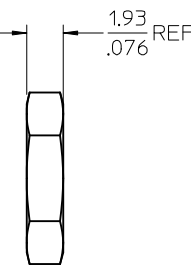
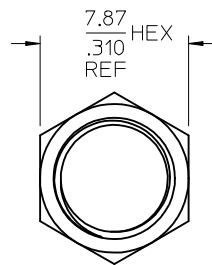
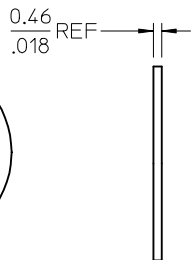
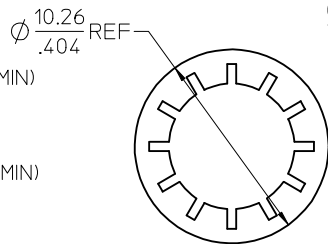
BODY: BRASS
PLATED: GOLD (10 MICROINCHES MIN)

CENTER CONTACT: BeCu
PLATED: GOLD (30 MICROINCHES MIN)

INSULATOR: TEFLON

JAM NUT, FLAT WASHER: BRASS
PLATED: GOLD

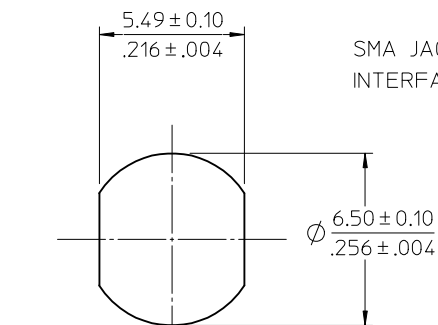
LOCKWASHER: PHOSPHOR BRONZE
PLATED: GOLD



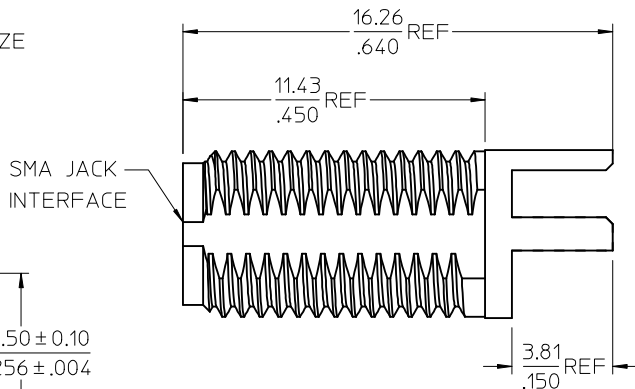
LOCKWASHER
(73251-2121 ONLY)

JAM NUT
73251-2121 AND -2122

FLAT WASHER
(73251-2122 ONLY)

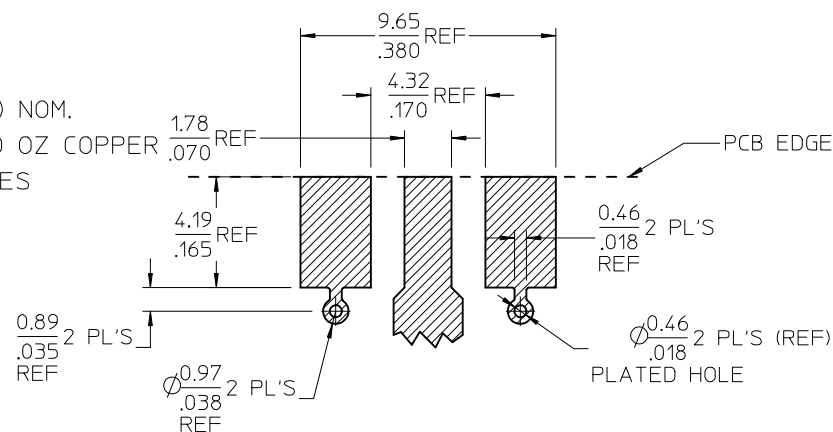
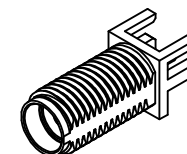
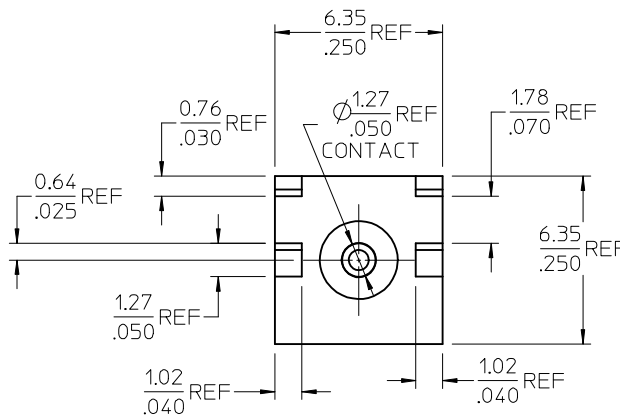


RECOMMENDED PANEL CUTOUT



RECOMMENDED PAD LAYOUT

BASE WIDTH: 6.35(.250) NOM.
BOARD THICKNESS: 1.57(.062) NOM.
BOARD MATERIAL: FR4 W/1.0 OZ COPPER
BOTH SIDES



PART # 73251-2122 (WITH FLAT WASHER/JAM NUT)

PART # 73251-2121 (WITH LOCKWASHER/JAM NUT)

PS-89675-3370	PRODUCT SPECIFICATION
MIL-STD-348A, FIG. 310.2	INTERFACE
SPECIFICATION	DESCRIPTION

CHG: SEE SHEET 1 EC NO: URF2009-0215 DRWN: JWIENER 2008/11/04 CHKD: SSHAH 2008/11/04 APPR: JWIENER 2008/11/04	QUALITY SYMBOLS ▽=0 ▽=0	GENERAL TOLERANCES (UNLESS SPECIFIED) 4 PLACES ± --- ± --- 3 PLACES ± --- ± --- 2 PLACES ± --- ± --- 1 PLACE ± --- ± --- ANGULAR ± 2°	DIMENSION STYLE MM/IN	SCALE DESIGN UNITS METRIC	THIRD ANGLE PROJECTION	DRAWN BY SSS DATE 2003/07/09	CHECKED BY TEF DATE 2003/07/09	APPROVED BY GMH DATE 2003/07/09	TITLE SMA JACK, EDGE MOUNT .062 BOARD, 50 OHMS, EWR-2074 SMA-J/PCB	MOLEX INCORPORATED	MATERIAL NO. 732512121	DOCUMENT NO. SD-73251-212	SHEET NO. 2 OF 2